

1 2 3 4 5 6

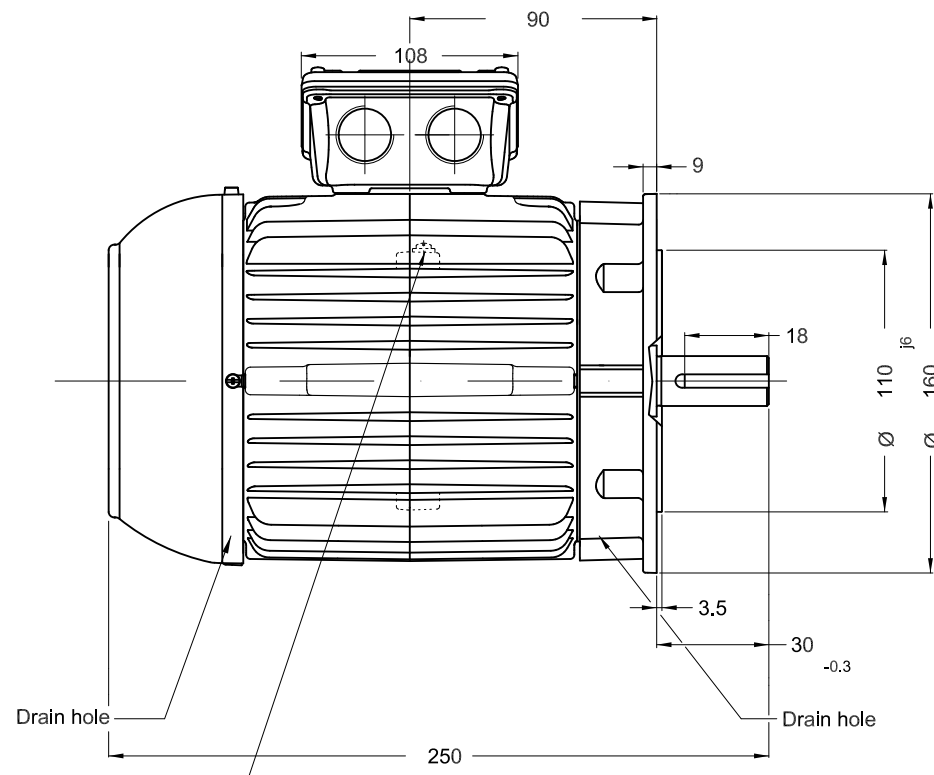
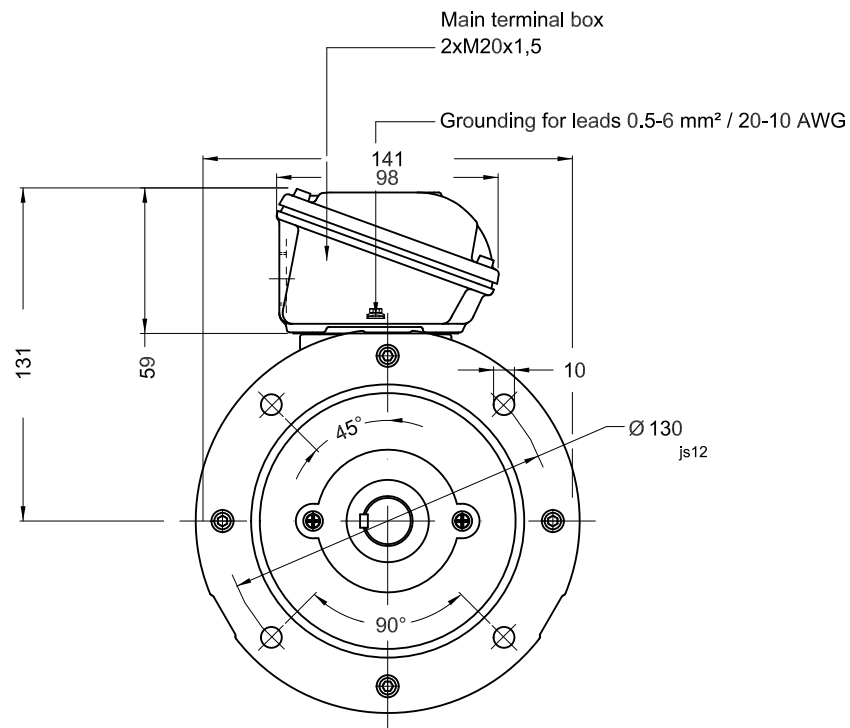
A

B

C

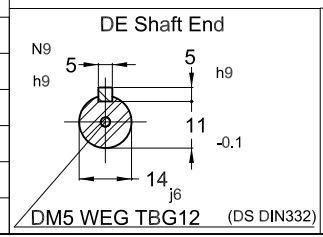
D

E



Grounding for leads 0.5-6 mm² / 20-10 AWG

- Bearing cap
- Thermal protection to switch off - thermistors 155°C
- Space heaters 110 to 127 V
- Color RAL 5009
- Painting plan 202P
- Mounting B5T



0.37 kW 02 Poles 50 Hz A

QUANTUM CONTROLS

ECM	LOC	SUMMARY OF MODIFICATIONS	EXECUTED	CHECKED	RELEASED	DATE	VER
EXECUTED	PIRWUSER	THREE PH. MOTOR W22 IE3					
CHECKED		FRAME 71 IP55 TEFC					
RELEASED							
REL DT.	WMO	Jaragua do Sul	Product Engineering	SHEET	1 / 1		

PREVIEW
WDD

